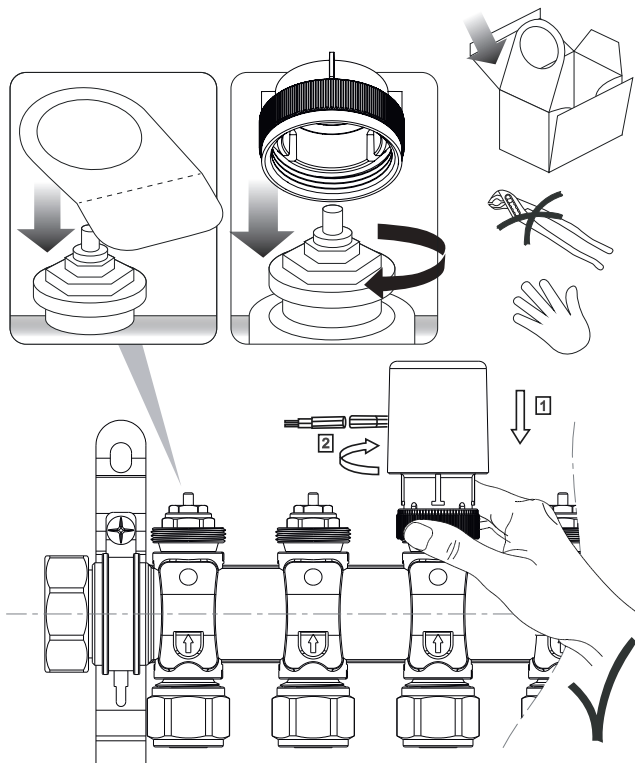
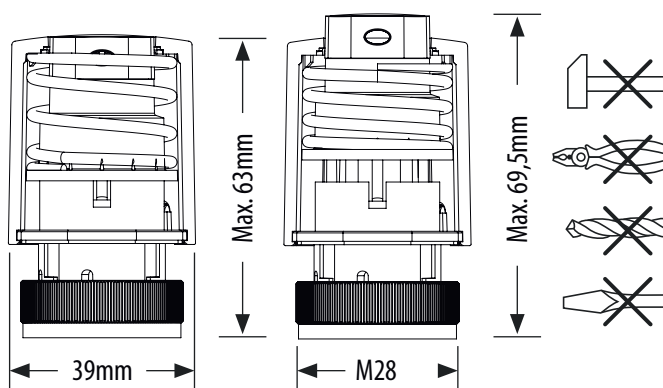


SALUS

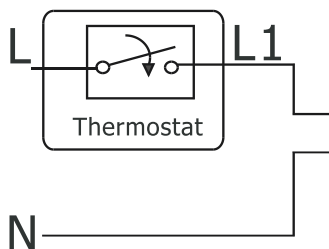
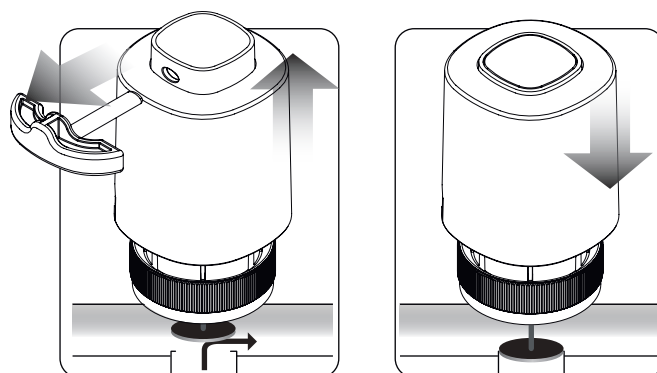
MONTAŻ



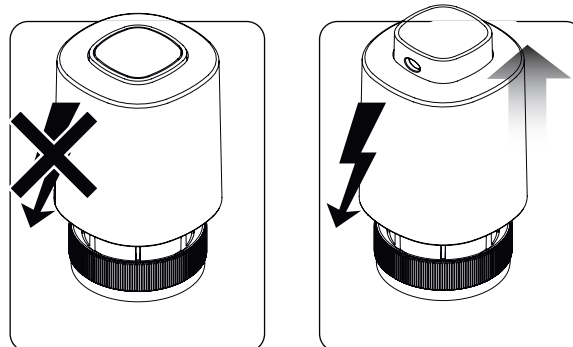
Max. Skok - 4mm



NC - NORMALLY CLOSED - NORMALNIE ZAMKNIĘTY
Funkcja "First Open"



ZASADA DZIAŁANIA



230V

V= 230V

P= 2W

IMAX= 200mA - 200mS

IP54

5-60 °C

F= 100N+10%



IMPORTER:
QL CONTROLS Sp. z o.o. Sp. k.
ul. Rolna 4, 43-262 Kobielice

PRODUCER:
Salus Limited
6/F, Building 20E, Phase 3, Hong Kong Science
Park, 20 Science Park East Avenue, Shatin,
New Territories, Hong Kong